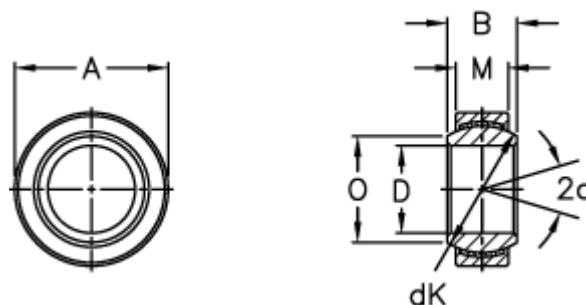


Article number: 03442006

Description: Fluro Rod end GE 6EC-NIRO

Measures



A	= 14 0 -0,008	Tilt angle = 13
B	= 6	Weight = 4
D	= 6 0 -0,008	
dK	= 10	
Dynamic load C (kN)	= 4	
M	= 4	
O	= 8	
Static load C0 (kN)	= 9	